

ADRENALINE



FEATURES

- // Capable of 3675 lbs. of clamp force
- // Compact size ideal for mounting inside the wheel
- // One piece cast aluminum housing
- // Square seal piston retraction for constant running clearance
- // Floating housing design for mounting ease
- // Long-lasting brake pads

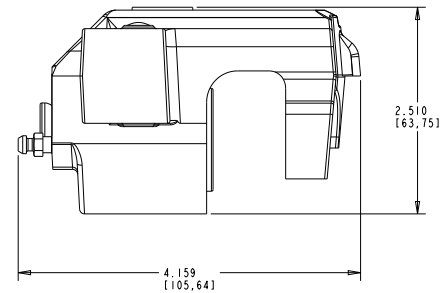
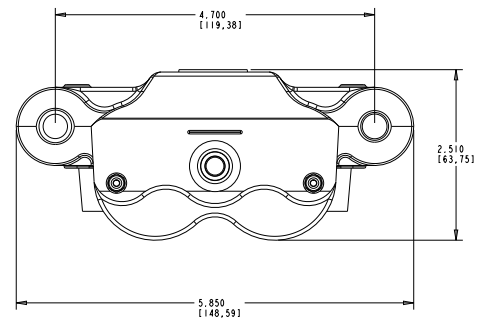


SPECIFICATIONS

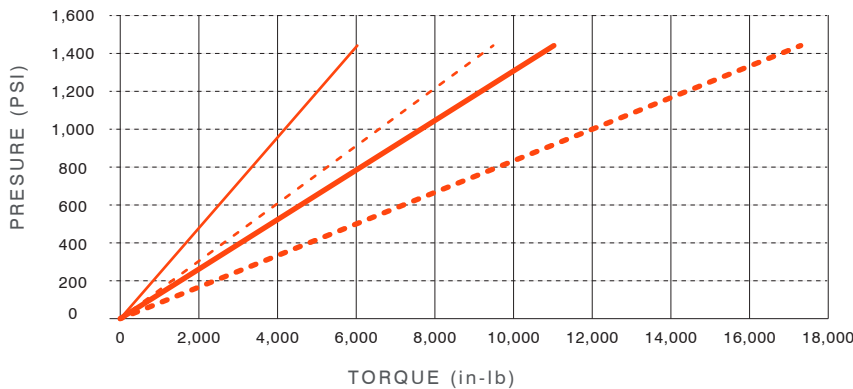
WEIGHT	2.8 Lbs.
ROTOR THICKNESS	.156" - .250"
LINING TYPE	Sintered, Non-Asbestos Organic, Semi-Metallic
PISTON DIAMETER	Twin Piston 1.25"
MAX PRESSURE	1500 Psi
FLUID TYPE	Brake Fluid
BLEEDER	3:00, 9:00
FLUID INLET	Center

Specifications are guidelines only and subject to change. Consult Hayes Performance Systems for specific model, part number, and assembly drawings - contact@hbpsi.com

REFERENCE DIMENSIONS



TORQUE INFORMATION



- Dia = 6 in, Mu = .35
- Dia = 10 in, Mu = .35
- - - Dia = 6 in, Mu = .55
- - - Dia = 10 in, Mu = .55